

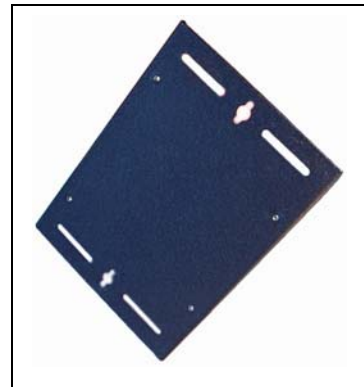
COM1000™

PATENT PENDING

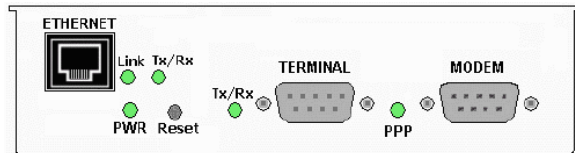
Industrial Internet Appliance

COM1000

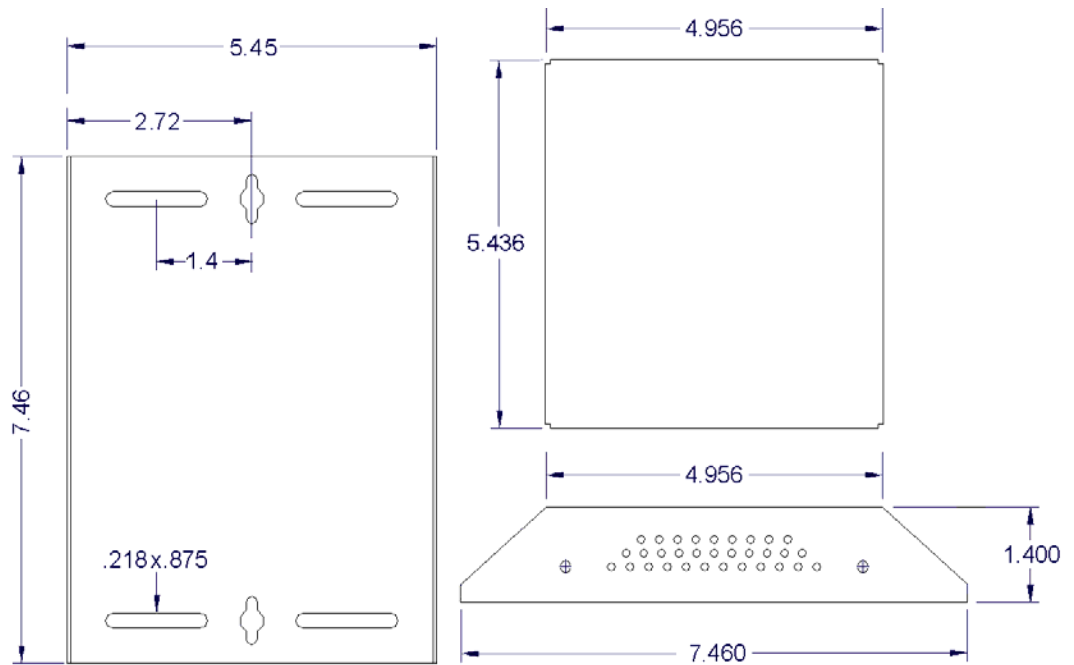
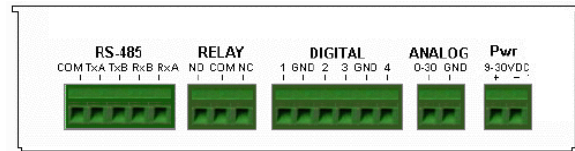
Photos and Dimensions



Network Side



Input Side



Distributed by:
pc micro
www.pcmicro.com

